

Specifications

83" H X 72" W X 59 1/2" D

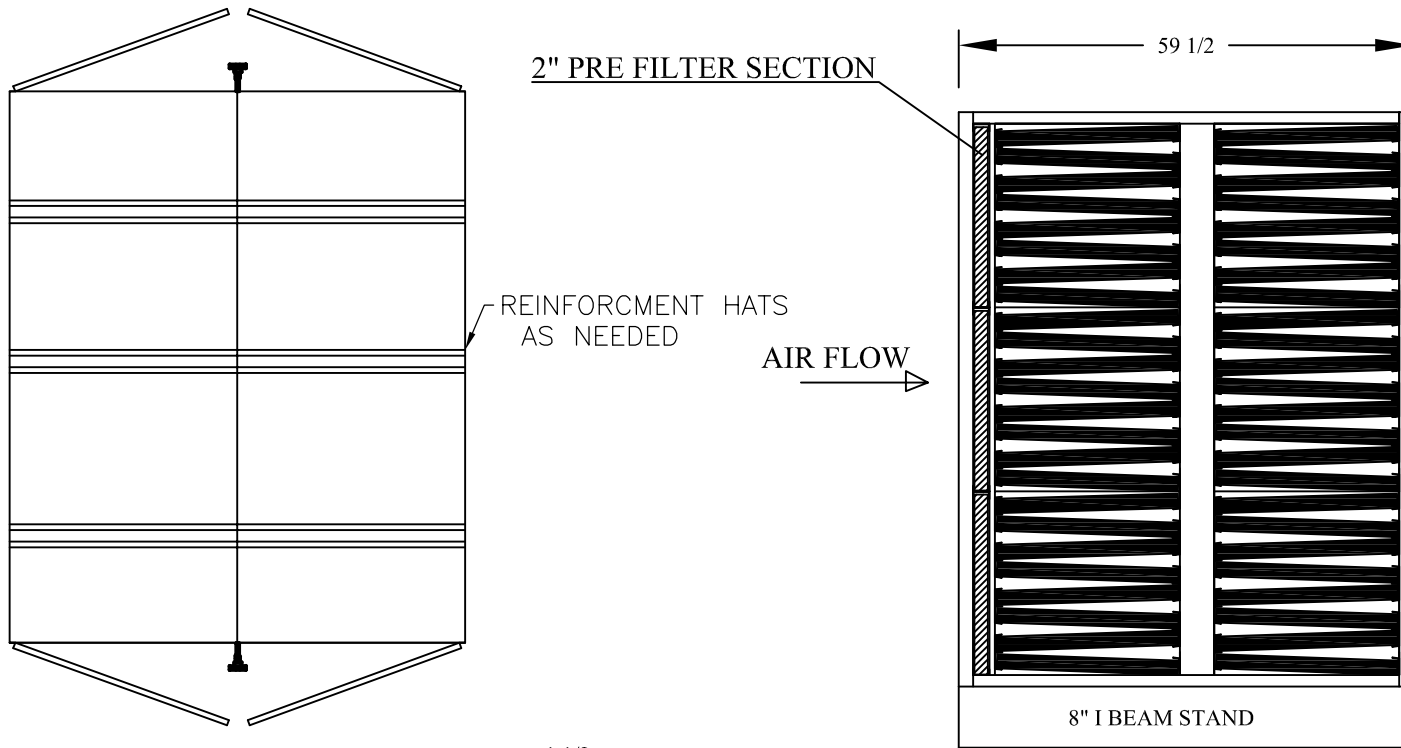
TOLERANCES: +/- 1/8"

UNIT HOLDS:

- 1ST PASS
- HOLDS 9 - 23 3/8 x 23 3/8 x 1 3/4 Pre filters
- 2ND PASS MEDIA TRAYS
- HOLDS 72 - 23 11/16 X 23 11/16 X 1 7/8
- 3RD PASS MEDIA TRAYS
- HOLDS 72 - 23 11/16 X 23 11/16 X 1 7/8

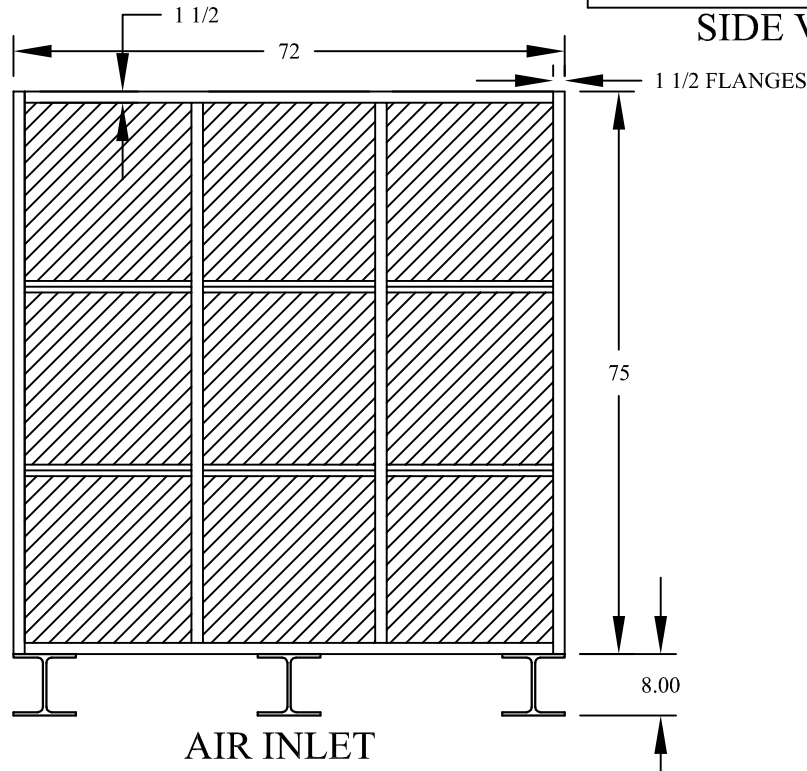
- STITCH WELDED CONSTRUCTION
- 16 GAUGE ALUMINIZED.
- 2-DOOR EACH SIDE
- FULLY GASKET DOORS
- SPRING TENSION KNOBS
- 1 1/2" INLET/OUT FLANGE

SIZED FOR 18,000 CFM



TOP VIEW

SIDE VIEW



TITLE:	3x3 2P-2T-2T	
DATE: 7/10/14	Pure Effect	
SCALE: NONE		
JOB:	DRAWN BY: MLF	
APPROVED BY:	REVISION:	