

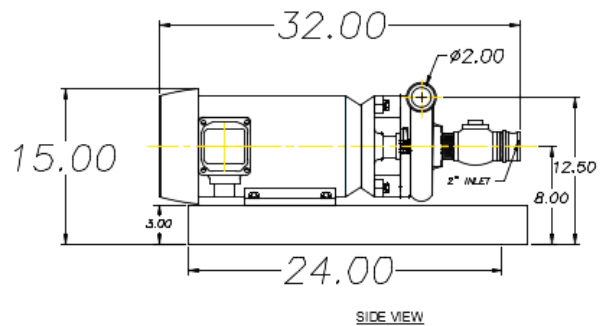


PE-7.5HP PUMP

Product Specification Sheet

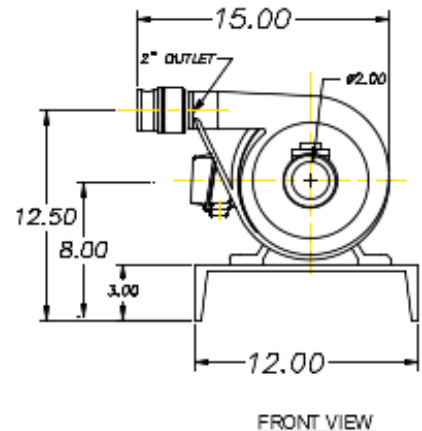
DESCRIPTION

- Pure Effect's PE-7.5HP-PUMP is a close-coupled, end-suction pump. It is constructed of cast iron, with unique back pull-out design that permits access to the impeller without disturbing the piping.
- Ideal for applications requiring high performance, easy maintenance and moderate initial cost.



FEATURES

- Four position discharge
- Premium-grade motors
- Motor bracket
- Maintenance-free shaft seal
- Replaceable slip-on shaft sleeve
- Replaceable bronze wear ring
- Superior impeller
- Heavy-duty voute case
- Multiple taps
- Durable finish



TECHNICAL

- 7.5 HP pump
- Flow max: 175 gpm @ 100' TDH, 1.5" discharge
- Motor: TEFC, 3450 rpm @ 60 hz
- Impeller dia: 6.0"
- Electrical: single phase, 230V, 33 amps, or 3-phase, 230V/460V, 9 amps

Adhere to all applicable health & safety regulations when using this product.