



# PE-2,500 HOLDING TANK

## Product Specification Sheet

### DESCRIPTION

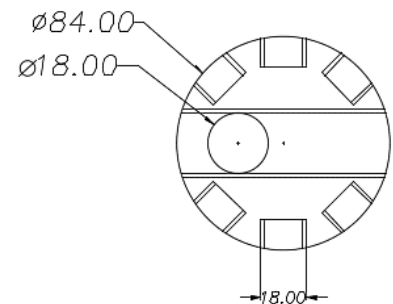
- Pure Effect's PE-2,500 water holding tanks are an effective, economical way to store groundwater or storm water for commercial applications.
- Typical applications for this line of plastic water storage tanks include temporary groundwater storage for construction dewatering, remediation system processes, temporary storage of storm water runoff, etc.

### FEATURES

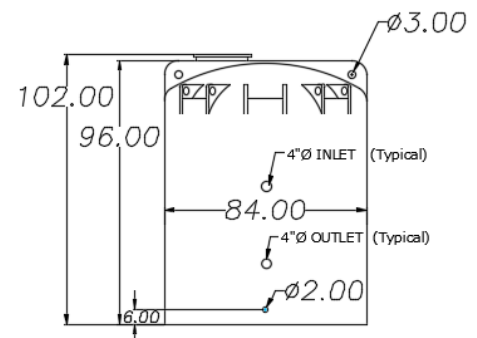
- PE-2,500 tanks are constructed of high density polyethylene.
- PE-2,500 tanks are for storage and are not designed to be pressurized.
- Eyehooks for portability.
- 4" Inlet and Outlet

### TECHNICAL

- Capacity: 2,500 gallons
- Max pressure: atmospheric
- Max operating temp: 120° F
- Overall dimensions: 84" (dia.) x 102" (ht.)
- Manway: 24" or 18" opening, ladder available upon request
- Dry weight: 700 lbs.



Top View



Front View

**Adhere to all applicable health & safety regulations when using this product.**