

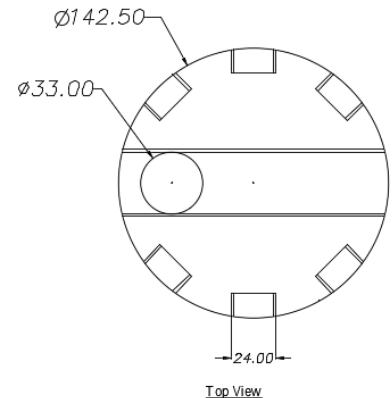


PE-10,000 HOLDING TANK

Product Specification Sheet

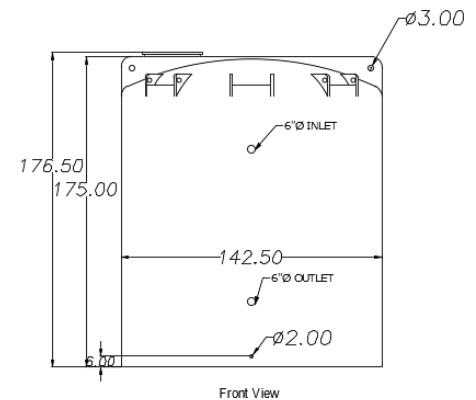
DESCRIPTION

- Pure Effect's PE-10,000 water holding tanks are an effective, economical way to store groundwater or storm water for commercial applications.
- Typical applications for this line of plastic water storage tanks include temporary groundwater storage for construction dewatering, remediation system processes, temporary storage of storm water runoff, etc.



FEATURES

- PE-10,000 tanks are constructed of high density polyethylene.
- PE-10,000 tanks are for storage and are not designed to be pressurized.
- Eyehooks for portability.
- 6" Inlet and Outlet



TECHNICAL

- Capacity: 10,000 gallons
- Max pressure: atmospheric
- Max operating temp: 120° F
- Overall dimensions: 142.5" (dia.) x 176.5" (ht.)
- Manway: 24" or 18" opening, ladder available upon request
- Dry weight: 2,600 lbs.

Adhere to all applicable health & safety regulations when using this product.