

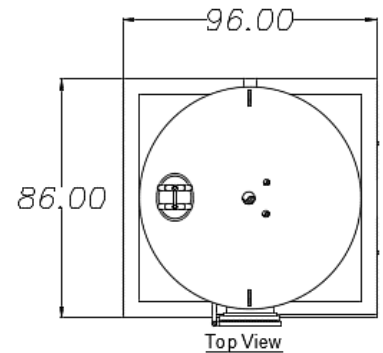


PEL-12,000 CARBON VESSEL

Product Specification Sheet

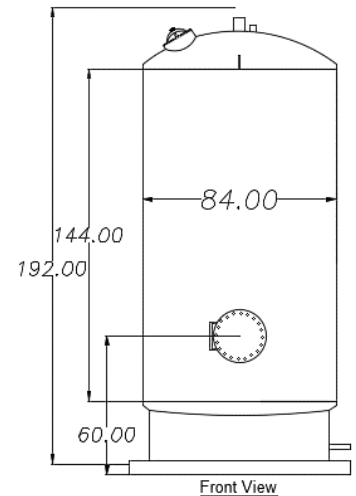
DESCRIPTION

- Pure Effect's PEL-12,000 liquid phase carbon vessels are designed for the removal of dissolved contaminants from liquid streams, with flow ranges up to 500 gpm per unit and carbon capacity of 12,000 pounds.
- The PEL-12,000 vessels are designed and manufactured non-code. The materials used in construction are in accordance with standards established by AWWA, FDA and EPA. These vessels are ideal for applications that require pressure ratings of less than 75 psi.
- Typical applications for this line of filters include municipal drinking water treatment, industrial wastewater treatment and groundwater remediation.



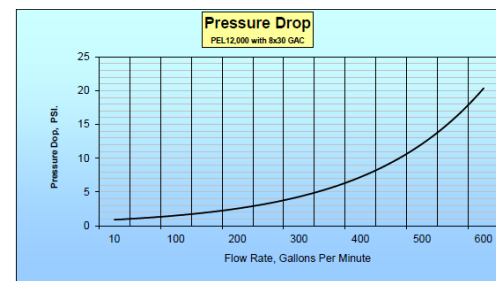
FEATURES

- Vessels are constructed of high grade carbon steel, with high solids epoxy lining and exterior paint of industrial enamel.
- Top access port: 16"x12" and bottom access port of 18" dia.
- Air relief valve.
- Pressure relief valve recommended set at 80 psi.
- Eyehooks for portability.



TECHNICAL

- Max fill: 12,000 lbs. granular activated carbon (GAC)
- Max pressure: 75 psi (pressure relief valve required)
- Design flow rate: 500 gpm
- Max operating temp: 120° F
- Overall dimensions: 88" (dia.) x 84" (width) x 192" (ht.)
- I-Beam Skid: 86" x 96"
- Inlet and outlet size: 4" or 6" NPT threaded
- Total volume: 500 ft³
- Shipping weight (empty): 9,500 lbs.



Adhere to all applicable health & safety regulations when using this product.