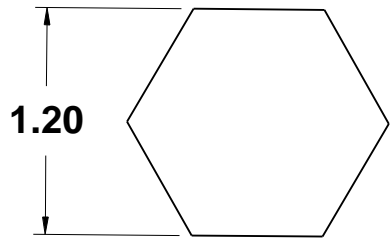
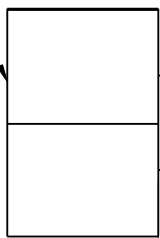




NO BURS THIS END

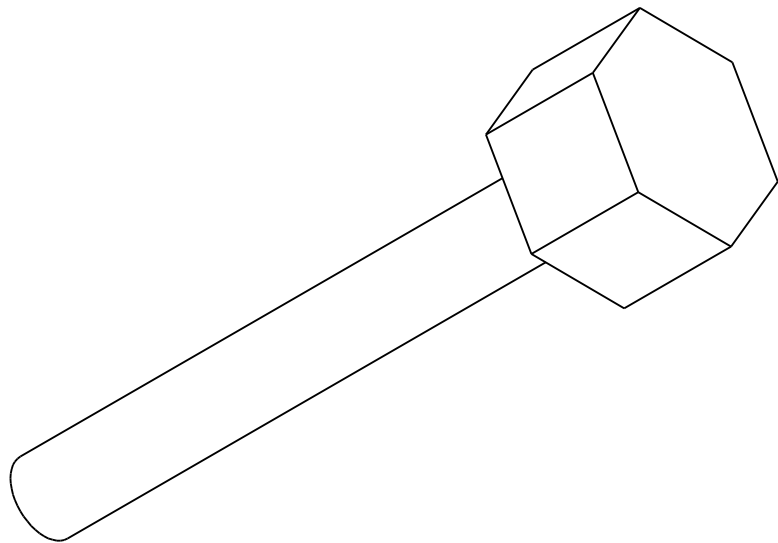


0.80



Ø0.50

4.0



TOLERANCES X.X +/- 0.1 mm X.XX +/- .02 mm		scale hardware	
		SIM-HXB-12-B	
Material	SIZE	DWG NO.	REV
BRASS	A		
NO SCALE		SHEET	1 of 1

